

Giada D360

High-Performance
for High-End Digital Signage Usage



Features

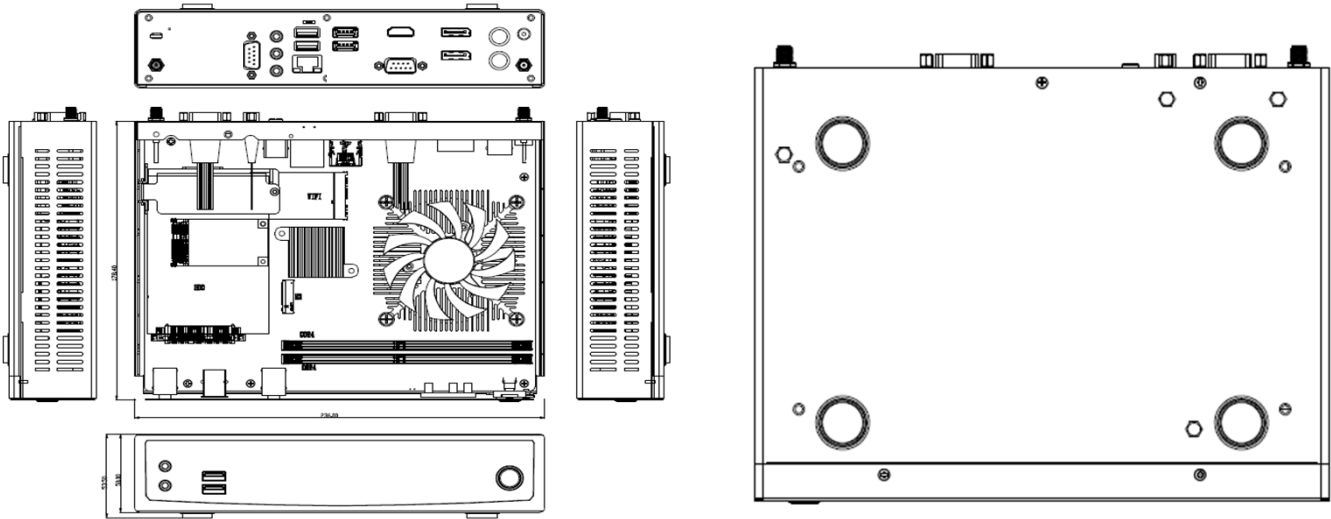
- 6th Generation Intel® Skylake-S Series Processor
- Max. 32GB DDR4, Dual Channel
- Great Connectivity and Expandability

Specifications

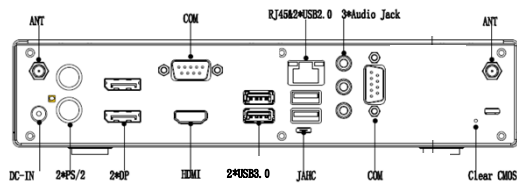
RoHS CE FC CCC

		D360H-B0000
Processor System	CPU	6 th Generation Intel® Skylake-S Series Processor
	Chipset	Intel® H110 Express
	BIOS	AMI EFI 64 Mbit
Memory	Type	DDR4 2133MHz
	Capacity	32 GB Max
	Socket	2 x U-DIMM (284 pin)
Graphics	GPU	Integrated Intel® HD Graphics
	HDMI	Max. 4096 x 2304 @24Hz
	DP1.2	Max. 4096 x 2304 @60Hz
Audio	Interface	1 x MIC-IN, 1 x LINE-IN, 1 x AUDIO OUT
Ethernet	Interface	1 x Gigabit Ethernet, Realtek RTL8111F
I/O Interface	Serial Ports	2 x COM (5V/12V)
	USB Interface	4 x USB 3.0, 2 x USB 2.0
	PS/2	2 x PS/2
Other	JAHC (Patented Tech)	Support
Expansion	Mini PCIe #1	1 x Full-length Mini-PCIe with mSATA support
	Mini PCIe #2	1 x Half-length Mini-PCIe with Wi-Fi /BT Module support
Storage	SATA III	1 x 2.5" SATA Drive Bay (Max Height 7.5mm)
	mSATA	1 x mSATA
	M.2	1 x M.2 (PCIe)
OS Support	Microsoft Windows	Windows 7, 8.1, 10
	Linux	Support
Power Requirement	Power Type	DC-IN
	Power Adapter	19V / 4.74A
Mechanical	Construction	Metal
	Mounting	VESA Mounting Kit (Optional)
	Dimensions (W x D x H)	236mm x 175mm x 50mm
	Color	Black

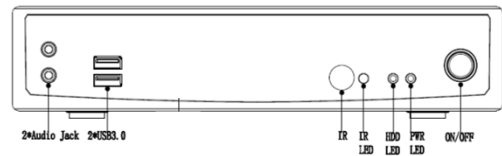
		D360H-B0000
Environment	Operating Temperature	0°C ~ 40°C at 0.7m/s air flow
	Storage Temperature	-20°C ~ 60°C
	Relative Humidity	95%@40°C (non-condensing)
Regulation	EMC	CE/FCC Class B, CCC
	Safety	CE/FCC LVD, CCC



Rear Panel External I/O



Front Panel External I/O



Order Information

Part Number	Intel CPU	RAM	DP	HDMI	GbE	USB	COM	Mini-PCIe	2.5" HDD bay	Operating Temperature
D360H-B0000	6th Skylake-S Series	up to 32GB	2	1	1	4 x USB3.0 2 x USB2.0	2	1 x Full-length 1 x Half-length	1	0°C ~ 40°C

Packing List

Part Number	Description	Part Number	Description
-	1 x D360	-	1 x Driver Disk
-	1 x User Manual	-	1 x Power Adapter
-	1 x AC power cable	-	1 x Wi-Fi antenna

The product appearance, specifications and features are subject to change. Giada reserves the right of final interpretation for the content hereinabove.